

# Valmact®

Solutions for Electric Distribution

# PRODUCT CATALOG

---



Premium Quality  
at a **Global Level**

# Index.



## Electrical hardware

Metallic device to secure, protect, repair, separate, and dampen vibrations.

04.



## Connectors and Grounding Systems

We offer H-type connectors and C-type copper connectors.

25.



Loads, grounding systems, molds, and accessories.

# Social Media



Valmact



Valmact\_



@valmact

## ¿Who are we?

Founded in 2015, Valmact addresses the need for high-quality hardware, **competitive in the international market.**

**Valmact and its products are 100% Mexican** and meet all certification requirements under CFE standards. **Our team is experienced and skilled to ensure products are delivered on time and meet customer expectations.**

## Our philosophy



**Facilitate the supply** of low, medium, and high voltage electrical products as quickly as possible, while promoting continuous training for our stakeholders.



**To be the company** recognized and recommended by stakeholders for the supply of low, medium, and high voltage electrical products, with strengths in a culture of technology, delivery times, product knowledge, and service focus.

## Our competitive advantages



Our team has the knowledge and experience to deliver the product on time and as expected to our customers.



Products that are recognized internationally, backed by their premium quality. With a presence in Australia, Costa Rica, and Guatemala.



By recognizing that each customer is different and has very specific needs, Valmact has the technological tools to develop its products.

# Valmact®

A **100% Mexican** international company of high quality in the manufacturing of hardware for **Medium Voltage.**

# Valmact®



LAPEM®  
CFE  
Comisión Federal de Electricidad

CERTIFICADO  
**RETIE** ✓  
(Colombia)

485344

MEDIUM VOLTAGE

# Aerial Distribution Hardware

PRODUCT CATALOG | VALMACT

HARDWARE

## AG Clamp



**Usage:** Secures suspension insulators on reflection structures, with angles from 90° to 180°.

**Material:** 1/4" x 2" flat bar with yield strength

**Accessories:** 2 galvanized hex nuts, 5/8"

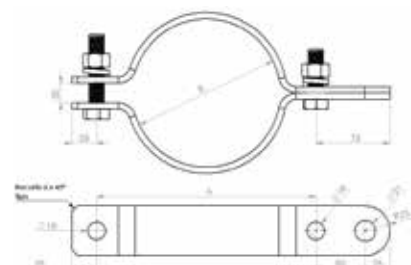
2 galvanized pressure washers, 5/8"

1 galvanized hex head bolt, 5/8" x 3"

1 galvanized hex head bolt, 5/8" x 2"

**Specification:** CFE 2A100-03

**Finish:** Hot-dip galvanized with a minimum thickness of 70 µm as per NMX-H-004-SCFI-2020



VALMACT CODE	CLASS	TYPE	DIMENSIONS		APPROXIMATE WEIGHT (KG)
			A	B	
AAG - 1	C	1AG	222	150	2.25
AAG - 2	A	2AG	242	170	2.43
AAG - 3	C	3AG	262	190	2.60

## BD Clamp



**Use:** Attach frames, SPA supports, V-shaped angular supports, in distribution lines and networks

**Material:** 1/4" x 1-1/2" flat bar with yield strength

**Accessories:** 2 galvanized hexagonal nuts, 1/2"

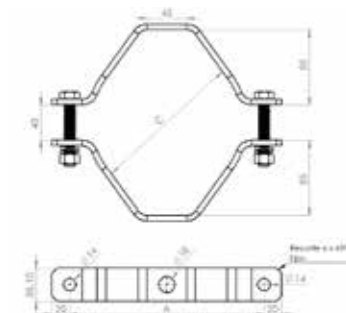
2 galvanized pressure washers, 1/2"

2 galvanized hexagonal head bolts, 1/2" x 3"

**Specification:** CFE 2A100-02

**Finish:** Hot-dip galvanized with a minimum thickness of 70 µm, according to NMX-H-004-SCFI-2020

**Packaging:** 20 pieces



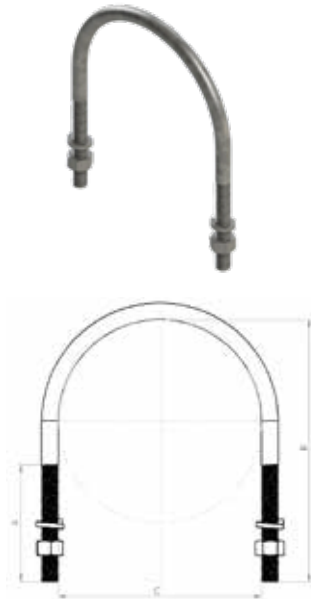
VALMACT CODE	CLASS	TYPE	DIMENSIONS			APPROXIMATE WEIGHT (KG)
			A	B	C	
ABD - 1	A	1BD	220	85	170	1.55
ABD - 2	C	2BD	266	106.5	216	1.80
ABD - 3	A	3BD	285	118	235	1.90



LAPEM®  
CFE  
Comisión Federal de Electricidad

CERTIFICADO  
**RETIE** ✓  
(Colombia)

## U Clamp



**Use:** Attach crossarms to poles in distribution lines and networks.

**Material:** 5/8" round profile with yield strength.

**Accesorios:** 2 galvanized hexagonal nuts, 5/8"  
2 galvanized pressure washers, 5/8"  
22 galvanized hexagonal head bolts, 1/2" x 3"

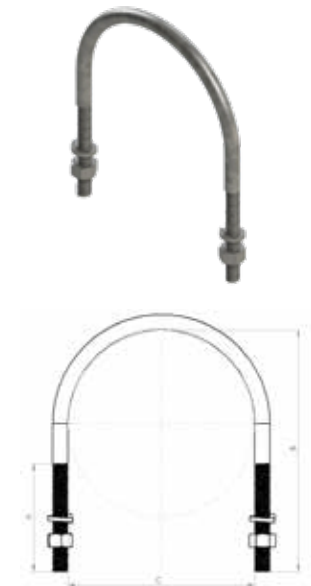
**Specification:** CFE 2A100-05

**Finish:** Hot-dip galvanized with a minimum thickness of 45 µm, according to NMX-H-004-SCFI-2020.

**Packaging:** 20 pieces.

VALMACT CODE	CLASS	TYPE	DIMENSIONS (mm)			APPROXIMATE WEIGHT (KG)
			A	B	C	
AUC	A	UC	110	250	194	1.06
AUL	A	UL	110	340	194	1.37

## UH Clamp



**Use:** Attach crossarms to poles in overhead lines and networks

**Material:** 3/4" round profile with yield strength

**Accesorios:** 2 galvanized hexagonal nuts, 3/4"  
2 galvanized pressure washers, 3/4"

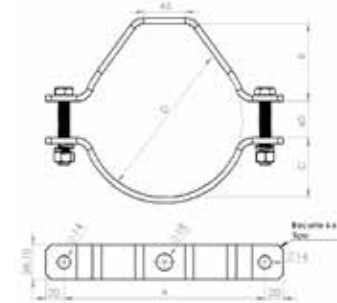
**Specification:** CFE 2A100-06

**Finish:** Hot-dip galvanized with a minimum thickness of 45 µm, according to NMX-H-004-SCFI-2020.

**Packaging:** 20 pieces

VALMACT CODE	CLASS	TYPE	DIMENSIONS (mm)			APPROXIMATE WEIGHT (KG)
			A	B	C	
AUH - 1	B	1UH	160	210	110	1.35
AUH - 2	C	2UH	200	285	110	1.70

## BS Clamp



**Use:** Attach frames, SPA supports, V-shaped angular supports, in distribution lines and networks

**Material:** 1/4" x 1-1/2" flat bar with yield strength

**Accesorios:** 2 galvanized hexagonal nuts, 1/2"  
2 galvanized pressure washers, 1/2"

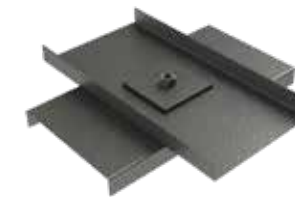
**Specification:** CFE 2A100-04

**Finish:** Hot-dip galvanized with a minimum thickness of 70 µm, according to NMX-H-004-SCFI-2020.

**Packaging:** 20 pieces.

VALMACT CODE	CLASS	TYPE	DIMENSIONS (mm)				APPROXIMATE WEIGHT (KG)
			A	B	C	D	
ABS - 1	A	1BS	220	85	65	170	1.40
ABS - 2	A	2BS	266	108	88	216	1.70
ABS - 3	C	3BS	285	118	98	235	1.85

## A2 Anchor



**Use:** Anchoring structures for medium voltage lines

**Material:** 254mm sheet & 101.6mm flat bar

**Accesorios:** 1 welded hexagonal nut, 5/8"

**Specification:** CFE 2A400-09

**Finish:** Hot-dip galvanized according to NMX-H-004-SCFI-2008

**Packaging:** Package with 1 piece

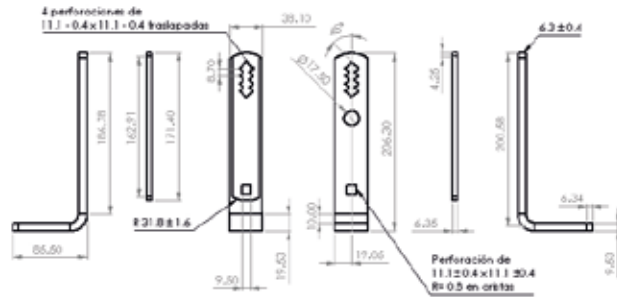
VALMACT CODE	CLASS	LENGTH mm	THICKNESS mm	Ø HOLE mm	PLATE LENGTH mm
AA2	A	400	2.70	210	102

Hardware Kit for Lightning Arresters in Distribution Networks



**Material:** 1 1/2" x 3/8" flat bar & 1/4" x 1 1/4" flat bar with yield strength  
**Accessories:** 2 round head bolts with square neck, 9.5mm x 127mm (3/8")  
 2 flat washers, 9.5mm (3/8")  
 2 spring washers, 9.5mm (3/8")  
 2 hex nuts, 9.5mm (3/8")  
 1 spring washer, 12.7mm (1/2")  
 1 hex nut, 12.7mm (1/2")  
 1 round head bolt with square neck, 12.7mm x 4mm (1/2")

**Specification:** CFE VA410-43  
**Finish:** Hot-dip galvanized according to the NMX-H-004-SCFI-2020 standard.



VALMACT CODE	CLASS	DRILLING mm	Ø HOLE mm	DRILLING 2 mm
HRJ8998-BR	B	11.1-0.4 x 11.1-0.4	17.50	11.1±0.4 x 11.1±0.4

Type B Brackets



**Use:** To support spool insulators in aerial networks CFE 2B200-12  
**Material:** Stamped sheet with 2.78mm thickness for stirrup and bracket  
**Accessories:** 5/8" galvanized steel bolt  
 Stainless steel cotter pin 3/16" x 1 1/2"  
 Rivet 3/8" x 1/2"  
**Specification:** CFE 2B200-12  
**Finish:** Hot-dip galvanized with a minimum thickness of 45 µm in accordance with NMX-H-004-SCFI-2020.  
**Pckaging:** Package with 20 pieces



VALMACT CODE	CLASS	DESCRIPTION	UOM
BB-1	A	Brackets B1	Piece
BB-2	B	Brackets B2	Piece
BB-3	A	Brackets B3	Piece
BB-4	B	Brackets B4	Piece

C-Type Canal Rail



**Use:** Support for brackets and cables in manholes and underground distribution vaults.  
**Material:** 3" steel channel with yield strength  
**Accesorios:** N/A  
**Specification:** CFE 2DI00-06  
**Finish:** Hot-dip galvanized with a minimum thickness of 70 µm in accordance with NMX-H-004-SCFI-2020  
**Packaging:** Package with 20 pieces

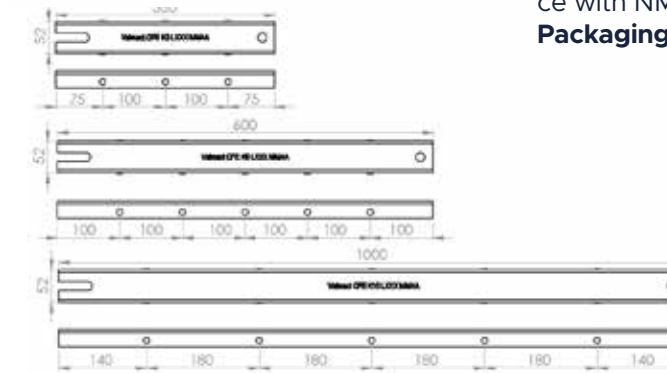


VALMACT CODE	CLASS	STEEL RAIL	DESCRIPTION	APPROXIMATE WEIGHT (KG)
C-140	B	140	1400	8.60
C-100	A	100	1000	4.94
C-60	A	60	600	3.24

Sheet Rail



**Use:** Bracket support and cables in manholes and underground distribution vaults  
**Material:** Steel sheet C14 x 4" with yield strength  
**Accessories:** 3/8" round bolt  
**Especificación:** CFE 2DI00-06 (used as reference)  
**Finish:** Hot-dip galvanized with a minimum thickness of 70 µm in accordance with NMX-H-004-SCFI-2020  
**Packaging:** Package with 20 pieces



VALMACT CODE	CLASS	DIMENSIONS L	APPROXIMATE WEIGHT (KG)
K-3	A	350	.62
K-6	A	600	1.38
K-10	A	1000	1.78

**C4E Crossarm**

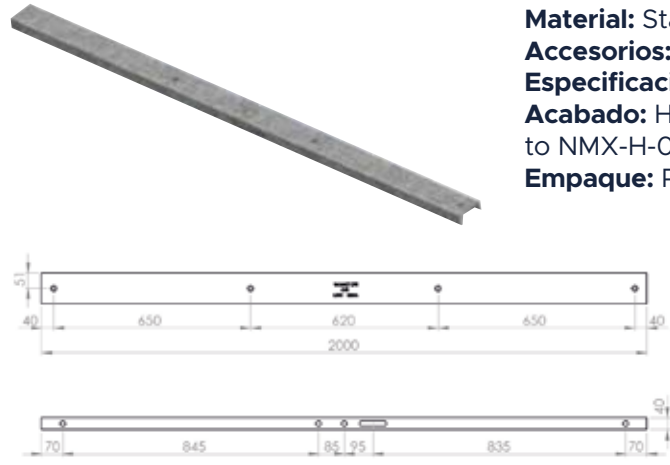
**Use:** In structures for overhead distribution lines and networks  
**Material:** Standard C profile CE 101.6mm x 8.04 kg/m with yield strength  
**Accesorios:** N/A  
**Specification:** CFE 2C900-19  
**Finish:** Hot-dip galvanized with a minimum thickness of 70 µm according to NMX-H-004-SCFI-2020  
**Packaging:** Packaging with 20 pieces



VALMACT CODE	CLASS	DIMENSIONS (mm) L	Ø HOLE (mm)	SLOTS (mm)
C4E	A	750	18	18 X 90

**C4R Crossarm**

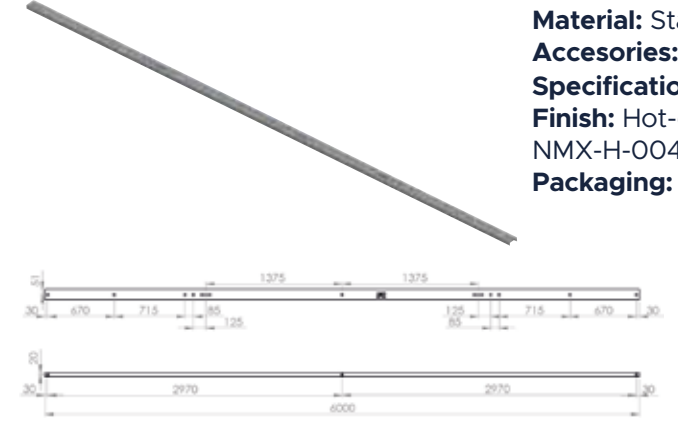
**Use:** In structures for overhead distribution lines and networks  
**Material:** Standard C profile CE 101.6 mm x 8.04 kg/m with yield strength  
**Accesorios:** N/A  
**Especificación:** CFE 2C900-19  
**Acabado:** Hot-dip galvanized with a minimum thickness of 70 µm according to NMX-H-004-SCFI-2020  
**Empaque:** Packaging with 20 pieces



VALMACT CODE	CLASS	DIMENSIONES (mm) L	Ø HOLES (mm)	SLOTS (mm)
C4R	A	2000	18	18 X 90

**C4S Crossarm**

**Use:** In structures for overhead distribution lines and networks  
**Material:** Standard C profile CE 101.6mm x 8.04 kg/m with yield strength  
**Accesorios:** N/A  
**Specification:** CFE 2C900-19  
**Finish:** Hot-dip galvanized with a minimum thickness of 70 µm according to NMX-H-004-SCFI-2020.  
**Packaging:** Packaging with 20 pieces



VALMACT CODE	CLASS	DIMENSIONS (mm) L	Ø HOLES (mm)	SLOTS (mm)
C4S	B	6000	21	21 X 100

**C4T Crossarm**

**Use:** In structures for overhead distribution lines and networks  
**Material:** Standard C profile CE 101.6 mm x 8.04 kg/m with yield strength  
**Accesorios:** N/A  
**Especificación:** CFE 2C900-19  
**Acabado:** Hot-dip galvanized with a minimum thickness of 70 µm according to NMX-H-004-SCFI-2020  
**Empaque:** Packaging with 20 pieces



VALMACT CODE	CLASS	DIMENSIONS (mm) L	Ø HOLES (mm)	SLOTS (mm)
C4T	A	2000	18	18 X 90

**C4V Crossarm**



**Use:** For structures in aerial lines and distribution networks  
**Material:** Standard C-profile CE 101.6mm x 8.04 kg/m with yield strength  
**Accesorios:** N/A  
**Especificación:** CFE 2C900-19  
**Acabado:** Hot-dip galvanized with a minimum thickness of 70 µm according to NMX-H-004-SCFI-2020  
**Packaging:** Packaged in 20 piece

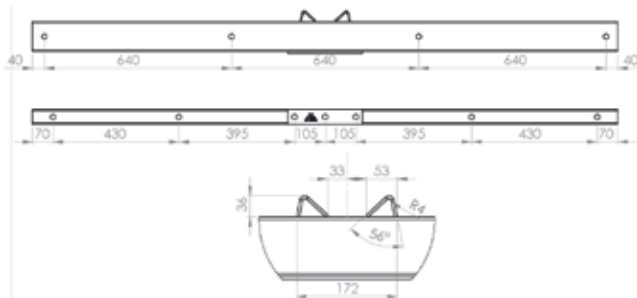


VALMACT CODE	CLASE	DIMENSIONS (mm) L	Ø HOLES (mm)	SLOTS (mm)
C4V	A	2000	18	18 X 90

**CPR2.0 Crossarm**



**Use:** Termination of conductors in Medium Voltage overhead lines  
**Material:** Tubular profile PTR 101.6 mm x 51 mm C11  
**Accesorios:** N/A  
**Specificación:** CFE 2C900-93  
**Finis:** Hot-dip galvanized with a minimum thickness of 70 µm according to NMX-H-004-SCFI-2020  
**Packaging:** Pack of 20 pieces

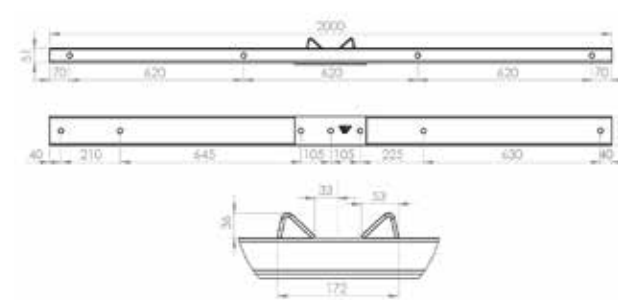


VALMACT CODE	CLASS	TYPE	DIMENSIONS (L) (mm)	Ø HOLES (mm)	APPROXIMATE WEIGHT (KG)
CPR-2.0	A	PR-200	2000	18	16.10

**CPT2.0 Crossarm**



**Use:** Supports Medium Voltage conductors and overhead lines  
**Material:** Perfil tubular PTR de 101.6 mm x 51 mm C14  
**Accesorios:** N/A  
**Specification:** CFE 2C900-93  
**Finish:** Hot-dip galvanized with a minimum thickness of 70 µm according to NMX-H-004-SCFI-2020  
**Packaging:** Pack of 20 pieces

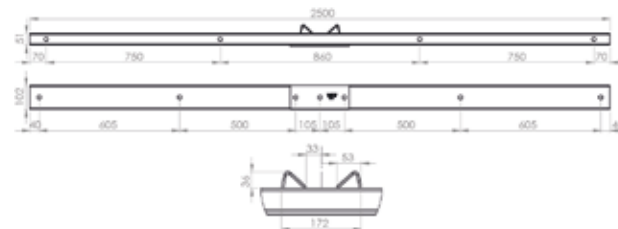


VALMACT CODE	CLASS	TYPE	DIMENSIONS (L) (mm)	Ø HOLES (mm)	APPROXIMATE WEIGHT (KG)
CPT-2.0	A	PT200	2000	18	11.20

**CPT2.5 Crossarm**



**Use:** Supports conductors and equipment in Medium Voltage overhead lines  
**Material:** Tubular profile PTR 101.6 mm x 51 mm C14  
**Accesorios:** N/A  
**Especificación:** CFE 2C900-93  
**Acabado:** Hot-dip galvanized with a minimum thickness of 70 µm according to NMX-H-004-SCFI-2020  
**Empaque:** Pack of 20 pieces



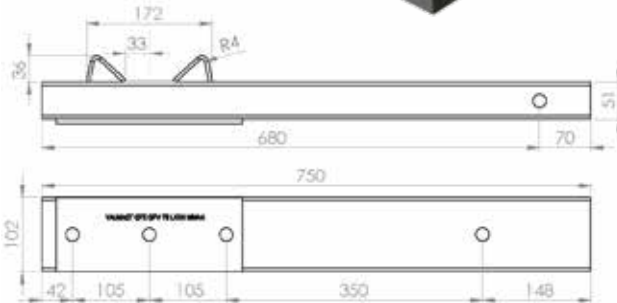
VALMACT CODE	CLASS	TYPE	DIMENSIONS (L) (mm)	Ø HOLES (mm)	APPROXIMATE WEIGHT (KG)
CPT-2.5	B	PT250	2500	18	13.40



**CPV0.75 Crossarm**



**Use:** Supports conductors and equipment in Medium Voltage overhead lines  
**Material:** Tubular profile PTR of 101.6 mm x 51 mm C14  
**Accesorios:** N/A  
**Specification:** CFE 2C900-93  
**Finish:** Hot-dip galvanized with a minimum thickness of 70 µm according to NMX-H-004-SCFI-2020  
**Packaging:** 20 pieces

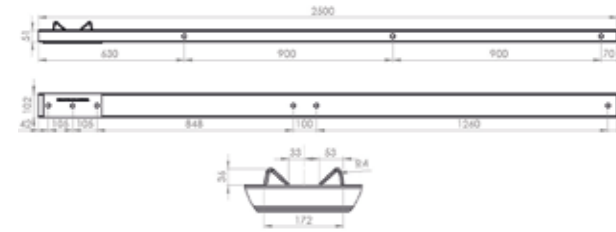


VALMACT CODE	CLASS	TYPE	DIMENSIONS (L) (mm)	∅ HOLES (mm)	APPROXIMATE WEIGHT (KG)
CPV.75	B	PV-75	750	18	5.80

**CPV2.5 Crossarm**



**Use:** Supports conductors and equipment in Medium Voltage overhead lines  
**Material:** Tubular profile PTR of 101.6 mm x 51 mm C14  
**Accesorios:** N/A  
**Specification:** CFE 2C900-93  
**Finish:** Hot-dip galvanized with a minimum thickness of 70 µm according to NMX-H-004-SCFI-2020  
**Packaging:** 20 pieces

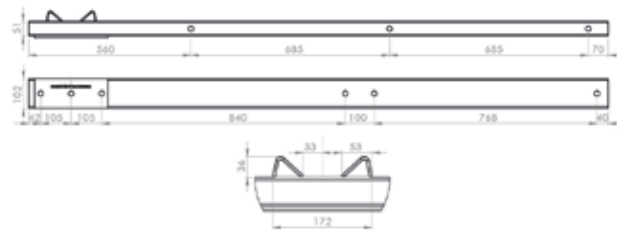


VALMACT CODE	CLASS	TYPE	DIMENSIONS (L) (mm)	∅ HOLES (mm)	APPROXIMATE WEIGHT (KG)
CPV-2.5	B	PV250	2500	18	13.40

**CPV2.0 Crossarm**



**Uso:** Supports conductors and equipment in Medium Voltage overhead lines  
**Material:** Tubular profile PTR of 101.6 mm x 51 mm C14  
**Accesorios:** N/A  
**Especificación:** CFE 2C900-93  
**Acabado:** Hot-dip galvanized with a minimum thickness of 70 µm according to NMX-H-004-SCFI-2020  
**Packaging:** 20 pieces

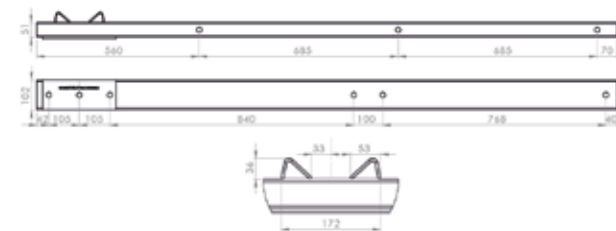


VALMACT CODE	CLASS	TYPE	DIMENSIONS (L) (mm)	∅ HOLES (mm)	APPROXIMATE WEIGHT (KG)
CPV-2.0	A	PV-200	2000	18	11.20

**CRV2.0 Crossarm**

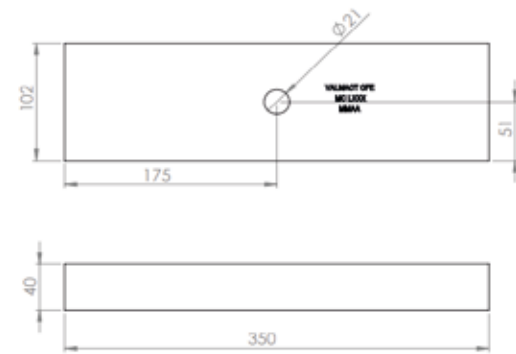
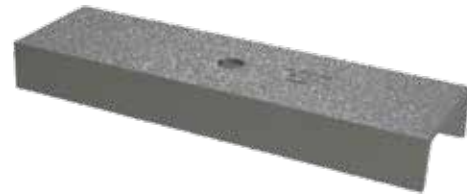


**Uso:** To terminate conductors in Medium Voltage lines  
**Material:** Tubular profile PTR of 101.6 mm x 51 mm C14  
**Accesorios:** N/A  
**Especificación:** CFE 2C900-93  
**Acabado:** Hot-dip galvanized with a minimum thickness of 70 µm according to NMX-H-004-SCFI-2020  
**Packaging:** 20 pieces



VALMACT CODE	CLASS	TYPE	DIMENSIONS (L) (mm)	∅ HOLES (mm)	APPROXIMATE WEIGHT (KG)
CRV-2.0	B	RV-200	2000	18 y 27	17.00

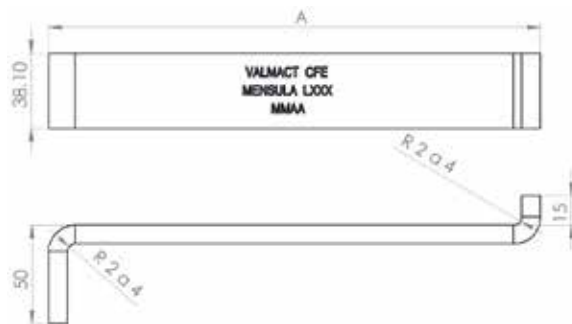
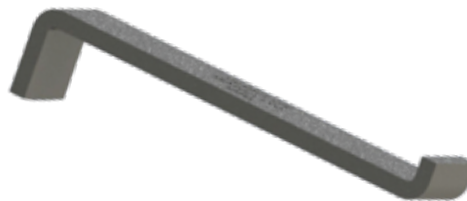
**Dead-end rail**



**Use:** Fixing of guy wires in Medium Voltage electrical line structures and equipment  
**Material:** Standard channel CE-102 mm x 8.04 kg/m x 350 mm with yield strength  
**Accessories:** N/A  
**Specification:** CFE 2S300-47  
**Finish:** Hot-dip galvanized according to the NMX-H-004-SCFI-2008 standard  
**Packaging:** Bundles of 5 pieces

VALMACT CODE	CLASS	DIMENSIONS L	APPROXIMATE WEIGHT (KG)
MC	A	350	2.80

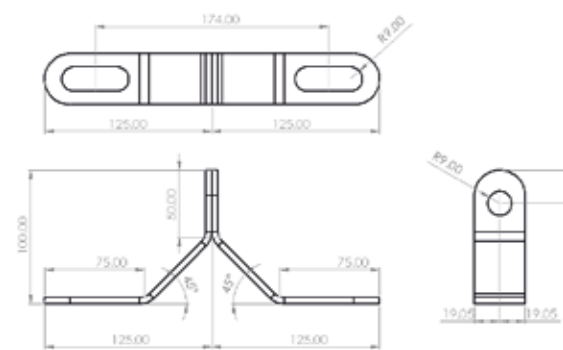
**CS Brackets**



**Use:** Used with CS rail and CS bolt to support cables in manholes, vaults, and underground distribution chambers  
**Material:** Flat bar 9.525 x 38.1 mm with yield strength  
**Accessories:** N/A  
**Specification:** CFE 2DI00-17  
**Finish:** Hot-dip galvanized with a minimum thickness of 70 µm according to NMX-H-004-SCFI-2020  
**Packaging:** Pack of 20 pieces

VALMACT CODE	CLASS	TYPE	DIMENSIONS L	APPROXIMATE WEIGHT (KG)
M - 25	A	CS 250	250	0.90
M - 35	A	CS 350	350	1.26

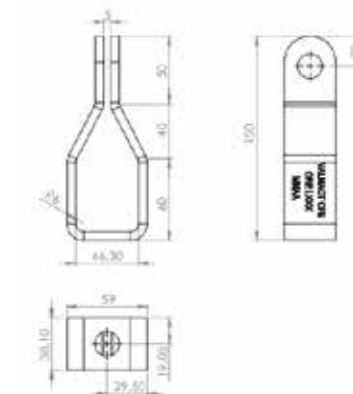
**RE End Fitting**



**Use:** Central phase termination in distribution lines and networks  
**Material:** 4.7mm x 38.1mm flat bar with yield strength  
**Accessories:** N/A  
**Specification:** CFE 2M300-37  
**Finish:** Hot-dip galvanized according to NMX-H-004-SCFI-2008  
**Packaging:** Packaged in 20 pieces

VALMACT CODE	CLASS	DIMENSIONS (DIST. BETWEEN CENTERS)
MRE	A	174

**RE Eye**



**Use:** Insulation termination in aerial lines and networks  
**Material:** 6.4mm x 38.1mm flat bar with yield strength  
**Accessories:** N/A  
**Specification:** CFE 20100-38  
**Finish:** Hot-dip galvanized according to NMX-H-004-SCFI-2008  
**Packaging:** Packaged in 50 pieces

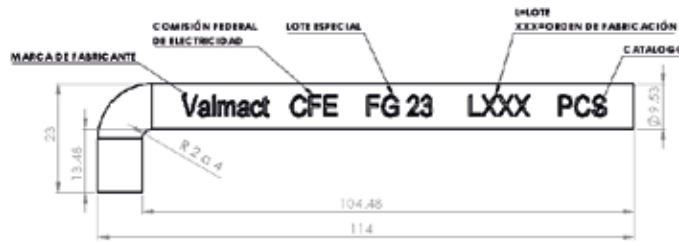
VALMACT CODE	CLASS	DIMENSIONS L	APPROXIMATE WEIGHT (KG)
ORE	A	150	0.62

**CS Bolt**



**Use:** Used with the CS slider and CS bracket to support cables in underground distribution manholes, wells, and vaults  
**Material:** 9.5mm diameter cold-bent round bar with yield strength  
**Accesories:** N/A  
**Specification:** CFE 2P200-78  
**Finish:** Hot-dip galvanized according to the NMX-H-004-SCFI-2008 standard.  
**Packaging:** 20 pieces

VALMACT CODE	CLASS	DIMENSIONS (mm) (L) (Ø)	APPROXIMATE WEIGHT (KG)
PCS	A	174 9.53	0.59

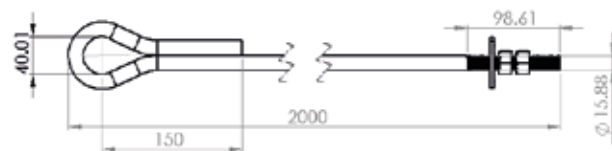


**PA Anchor Bolt**



**Use:** Anchoring structures in distribution and high-voltage lines and networks  
**Material:** Smooth solid round bar (OS) with a diameter of 15.88mm, thread: 15.88-11 UNC 2A, with yield strength  
**Accesories:** Two hex nuts with a diameter of 15.88mm, thread: 15.88-11 UNC 2B, compliant with the NMX-H-146-SCFI-1996 standard. Material grade 2 according to NMX-H-133-SCFI-1991, for 1PA bolt  
**Specification:** CFE 2P200-59  
**Finish:** Hot-dip galvanized with a minimum thickness of 70 µm according to NMX-H-004-SCFI-2008  
**Packaging:** 5 pieces

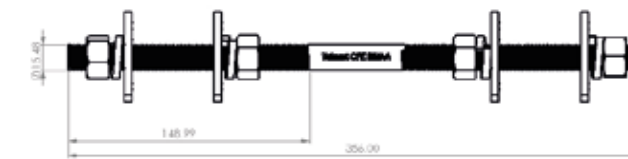
VALMACT CODE	CLASS	TYPE	DIMENSIONS L R	APPROXIMATE WEIGHT (KG)
1PA	A	1PA	2000 20	3.44
2PA	B	2PA	2500 25	6.18



**DR Bolt**



**Use:** For assembling structures in aerial lines and networks  
**Material:** Galvanized steel round bar threaded on both ends with rounded tips  
**Accesories:** 4 galvanized steel nuts  
 4 galvanized steel spring washers  
 4 galvanized steel 1PC plates  
**Specification:** CFE 2P200-49  
**Finish:** Hot-dip galvanized according to NMX-H-004-SCFI-2008  
**Packaging:** Packaged in 25 to 100 pieces



VALMACT CODE	CLASS	TYPE	L. TOTAL (mm) DIMENSIONS	L. THREAD (mm) DIMENSIONS
PDR12	A	DR12	305	130
PDR14	A	DR14	356	150
PDR16	A	DR16	406	180
PDR18	A	DR18	457	200
PDR20	A	DR20	508	200
PDR22	B	DR22	559	200
PDR24	B	DR24	610	200
PDR26	B	DR26	660	230

**PC-1 Plate**



**Use:** For bolts, double-threaded bolts, and anchor bolts in distribution lines and networks.  
**Material:** 4.7mm x 50.8mm x 50.8mm flat bar with yield strength  
**Accesories:** N/A  
**Especificación:** CFE 2°600-11  
**Finish:** Hot-dip galvanized with a minimum thickness of 70 µm according to the NMX-H-004-SCFI-2008 standard  
**Packaging:** Packaged in 40 pieces



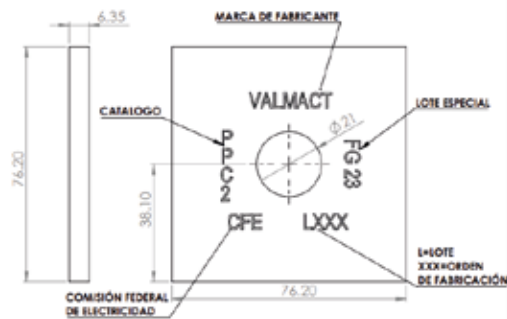
VALMACT CODE	CLASS	PRODUCT	DIMENSIONS (mm) (L) (Ø)	APPROXIMATE WEIGHT (KG)
PPC-01	A	Placa - 1PC	50.80 18	0.10

PC-2 Plate



**Use:** For bolts, double-threaded bolts, and anchor bolts in distribution lines and networks  
**Material:** 4.7mm x 50.8mm x 50.8mm flat bar with yield strength  
**Accesories:** N/A  
**Especificación:** CFE 2A600-11  
**Finish:** Hot-dip galvanized with a minimum thickness of 70 µm according to the NMX-H-004-SCFI-2008 standard  
**Packaging:** 40 pieces

VALMACT CODE	CLASS	PRODUCT	DIMENSIONS (mm)		APPROXIMATE WEIGHT (KG)
			(L)	(Ø)	
PPC-02	A	Placa - 2PC	76.20	21	0.31



PR Plate



**Use:** To distribute mechanical stresses in PT-200, PR-200, PT-250, and PT-75 cross arms  
**Material:** 6.4mm x 50.8mm x 102mm flat bar with yield strength  
**Accesories:** N/A  
**Especificación:** CFE 2C900-89  
**Finish:** Hot-dip galvanized with a minimum thickness of 70 µm according to the NMX-H-004-SCFI-2008 standard  
**Packaging:** 50 pieces

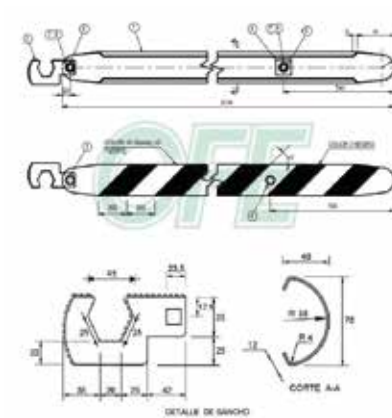
VALMACT CODE	CLASS	TYPE	DIMENSIONS (mm)		APPROXIMATE WEIGHT (KG)
			(L)	(Ø)	
PPR	A	PR	50.80	18	0.27



Retaining Protector



**Use:** Designed to protect all types of retainers in electrical distribution lines  
**Material:** Galvanized carbon steel sheet and electrostatic paint Polyester type, yellow and black color  
 Galvanized hook and plate  
**Accesories:** 2 galvanized hexagonal nuts of 12.7mm  
 2 galvanized pressure pulleys of 12.7mm  
 2 flat pulleys type B, diameter D1 of 14.27mm with a thickness of 2.77mm  
**Especificación:** CFE 2P600-43  
**Finish:** The galvanizing is in accordance with specification 21000-01-2015  
**Packaging:** 10 pieces

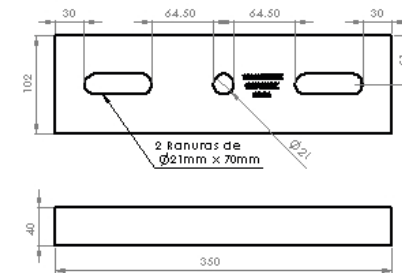


VALMACT CODE	CLASS	PRODUCT	DIMENSIONS (mm)		APPROXIMATE WEIGHT (KG)
			(A)	(B)	
PR1	A	R1	2134	78	4.50

CV-1 Mounting Support



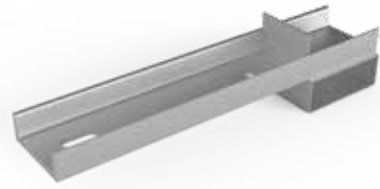
**Use:** For fixing stays on structures of medium voltage electrical lines and equipment  
**Material:** Standard CE channel 102mm x 8.04 kg/m x 350mm in length with yield strength  
**Accesories:** N/A  
**Especificación:** CFE 2S300-46  
**Finish:** Hot-dip galvanized according to NMX-H-004-SCFI-2008 after manufacturing  
**Packaging:** 5 pieces



VALMACT CODE	CLASS	DIMENSIONS (mm)			APPROXIMATE WEIGHT (KG)
		(L)	(*R)	(Ø)	
SCV1	A	350	21x70	21	2.80

\*Ranuras

SPA Insulator Support



**Use:** Support for post-type insulators in aerial medium voltage lines (13 kV to 33 kV)

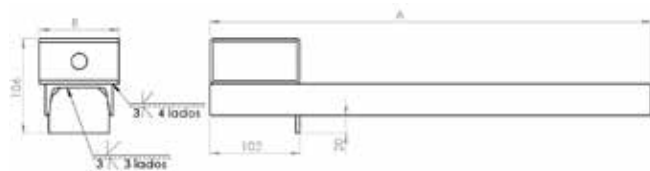
**Material:** Standard CE C-profile 76.2mm x 6.1 kg/m with yield strength PTR of 101.6 x 50.8mm C11 Plate 50.8 x 4.8mm

**Accesorios:** N/A

**Specification:** CFE 2S300-35

**Finish:** Hot-dip galvanized with a minimum thickness of 70 µm according to NMX-H-004-SCFI-2020 standard

**Packaging:** 6 pieces



VALMACT CODE	CLASS	DIMENSIONS (mm)		APPROXIMATE WEIGHT (KG)
		(A)	(B)	
SPA	A	500	90	4.00

H Tie Rod



**Uso:** To reinforce structures in medium and high voltage lines

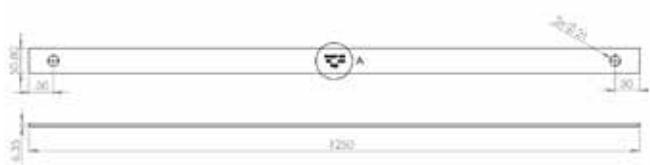
**Material:** 6.4mm flat bar according to NMX-B-254-CANACERO-2008 standard

**Accesorios:** N/A

**Especificación:** CFE 2T400-47

**Acabado:** Hot-dip galvanized according to NMX-H-004-SCFI-2008 standard

**Empaque:** 10 pieces.



VALMACT CODE	CLASS	TYPE	DIMENSIONS (mm)		APPROXIMATE WEIGHT (KG)
			(L)	(Ø HOLE)	
TH1	A	H1	1250	21	3.32
TH2	A	H2	760	18	1.51

T Tie Rod



**Use:** To reinforce H-frame structures in medium and high voltage lines

**Material:** 169mm x 64mm x 6.4mm plate with yield strength

**Accesorios:** N/A

**Especificación:** CFE 2T400-17

**Acabado:** Hot-dip galvanized according to NMX-H-004-SCFI-2008 standard

**Empaque:** 1 piece

VALMACT CODE	CLASS	APPROXIMATE WEIGHT (KG)
T-T2	A	5.30

\*Ranuras



## H-Type Connector



**Use:** Used for splicing, branching, and changing the direction of conductors in the electrical sector

**Material:** Aluminium

**Accesorios:** N/A

**Specification:** CFE 55000-51

**Finish:** N/A

**Packaging:** Individual Box

VALMACT CODE	CLASS	MAIN RANGE "A"			MAIN RANGE "B"		
		ACSR	STR	SOL	ACSR	STR	SOL
CDH 214	A	#2 <sup>1/7</sup> - #6 <sup>6/1</sup>	#2(7) - #6(7)	#1 - #6	-	#8 - #14	#7 - #14
CDH 2014	A	2/0 <sup>6/1</sup> - #2 <sup>6/1</sup>	2/0(19) - #2(7)	-	-	#8 - #14	#2 - #6
CDH 44	A	#2 <sup>7/1</sup> - #6 <sup>6/1</sup>	#1(19) - #6(7)	#2 - #6	#2 <sup>7/1</sup> - #6 <sup>6/1</sup>	#1(19) - #6(7)	#2 - #6
CDH 101	A	1/0 <sup>6/1</sup> - #2 <sup>6/1</sup>	2/0(19) - #2(7)	#2	#2 <sup>7/1</sup> - #6 <sup>6/1</sup>	#1(19) - #6(7)	#2 - #6
CDH 1010	A	1/0 <sup>6/1</sup> - #4 <sup>6/1</sup>	1/0(19) - #6(7)	#2 - #6	#2 <sup>7/1</sup> - #6 <sup>6/1</sup>	#1(19) - #6(7)	#2
CDH 2020	A	2/0 <sup>6/1</sup> - #1 <sup>6/1</sup>	3/0(7) - 1/0(7)	-	2/0 <sup>6/1</sup> - #1 <sup>6/1</sup>	#1(19) - 6(7)	-
CDH 404	A	4/0 <sup>6/1</sup> - 3/0 <sup>6/1</sup>	3/0(7) - 4/0(19)	-	#2 <sup>7/1</sup> - #6 <sup>6/1</sup>	3/0(7) - 1/0(7)	#2 - #6
CDH 4020	A	4/0 <sup>6/1</sup> - 3/0 <sup>6/1</sup>	3/0(7) - 4/0(19)	-	2/0 <sup>6/1</sup> - #2 <sup>6/1</sup>	#1(19) - #6(7)	-
CDH 4040	A	4/0 <sup>6/1</sup> - 3/0 <sup>6/1</sup>	3/0(7) - 4/0(19)	-	4/0 <sup>6/1</sup> - 3/0 <sup>6/1</sup>	3/0(19) - #1(7)	-

## C-Type Connector



**Uso:** Used for splicing, branching, and changing the direction of conductors in the electrical sector

**Material:** 99.9% copper

**Accesorios:** N/A

**Especificación:** CFE 55000-98

**Acabado:** N/A

**Empaque:** Bulk packaging

VALMACT CODE	CLASS	GAUGE	DIMENSIONS (mm)	CONDUCTOR RANGE	
				A	B
TC22	C	2 - 2	15.44 X 18.80 X 26.65	6 SOL. - 4 STR.	4 SOL. - 4 STR.
TC44	C	4 - 4	12.00 X 16.00 X 21.00	2 SOL. - 2STR.	2 SOL. - 2 STR.
TC2020	B	2/0 - 2/0	20.43 X 22.50 X 34.30	1/0 SOL. - 2/0 STR.	1/0 SOL. - 2/0 STR.
TC4040	C	4/0 - 4/0	25.00 X 27.40 X 41.00	3/0 STR. - 4/0 STR.	3/0 STR. - 4/0 STR.

LOW VOLTAGE

# Connectors and Grounding Systems



Charges for Exothermic Installations



**Use:** Valmact® exothermic charges are made with high-quality ingredients, ensuring that the connection made through an exothermic reaction meets quality standards, achieving a perfect fusion between the two conductors to be welded (This can be Copper, Steel, or a combination of both).

VALMACT CODE	CLASS
CARGA45V	A
CARGA65V	A
CARGA90V	A
CARGA115V	A
CARGA150V	A
CARGA200V	A

Molds for exothermic installations



**Use:** Valmact® molds for exothermic installations are designed to make the highest-quality weldable connections. They are guaranteed to make up to 50 connections and are very easy to clean as slag does not adhere to them. Valmact® manufactures a wide variety of molds and also produces custom molds according to the client's needs.

VALMACT CODE	CLASS	DESCRIPTION
VMOL1010T	B	MOLD FOR 1/0 GAUGE CABLE TO 1/0 GAUGE CABLE IN T
VMOL3030T	B	MOLD FOR 3/0 GAUGE CABLE TO 3/0 GAUGE CABLE IN T
VMOL4040T	B	MOLD FOR 4/0 GAUGE CABLE TO 4/0 GAUGE CABLE IN T
VMOL1010X	B	MOLD FOR 1/0 GAUGE CABLE TO 1/0 GAUGE IN X
VMOL3030X	B	MOLD FOR 3/0 GAUGE CABLE TO 3/0 GAUGE IN X
VMOL4040X	B	MOLD FOR 4/0 GAUGE CABLE TO 4/0 GAUGE IN X
VMOL582T	B	MOLD FOR 5/8" (16 MM) ROD TO 2 GAUGE CABLE IN T
VMOL5810T	B	MOLD FOR 5/8" (16 MM) ROD TO 1/0 GAUGE CABLE IN T
VMOL5830T	B	MOLD FOR 5/8" (16 MM) ROD TO 3/0 GAUGE CABLE IN T
VMOL5840T	B	MOLD FOR 5/8" (16 MM) ROD TO 4/0 GAUGE CABLE IN T

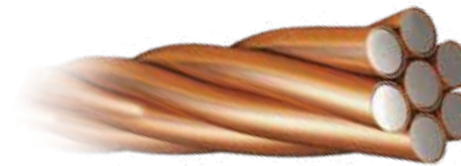
Grounding intensifier



**Use:** It is a grounding intensifier material specially designed to reduce the electrical resistance of groundings, made up of 2 components, A and B. Component A is a high electrical conductivity material, and Component B allows greater compaction and bonds it to the electrode, ensuring close contact, which results in lower resistance.

VALMACT CODE	CLASE	UOM	DESCRIPTION
VALINTENS	A	PZA	GROUNDING INTENSIFIER 11.5 KG (BENTONITE)

CCS Cable



**Characteristics:** It is a bimetallic cable that combines the strength of steel with the conductivity and corrosion resistance of copper. It is 65% stronger than annealed copper and has the same corrosion resistance as annealed copper.

**Specification:** Manufactured according to ANSI standards. Complies with LAPEM-CFE standards.



**Strength**  
Steel strength, conductivity, and corrosion resistance



**8% Lighter**  
Perfect substitute for bare copper wire



**65% Stronger**  
Stronger than recognized copper, a better option for your installations.



**Certification**  
LAPEM Sigla 03 IACS | SIGLA 03 CFE

Check out our kilogram to meter converter.



VALMACT CODE	CLASS	DESCRIPTION	CCS (Cooper Clad Steel)	BARE COPPER
ACS4	c	CCS Cable 7-4 - Valmact	-	4
ACS7-9	A	CCS Cable 7-9 - Valmact	7 - 9	2
ACS7-6	A	CCS Cable 7-6 - Valmact	7 - 6	1/0
ACS19-8	c	CCS Cable 19-8 - Valmact	19 - 8	4/0
ACS19-9	A	CCS Cable 19-9 - Valmact	19 - 9	3/0
CCS4	c	CCS Wire Cal.4 - Valmact	Wire AWG.4	Wire AWG.4

KNOW OUR  
**CORPORATE CV**



# Valmact®

Solutions for Electric Distribution



## Social Media



Valmact



Valmact\_



@valmact

valmact.com



# Valmact®



[valmact@valmact.com](mailto:valmact@valmact.com)



(55) 5118 6565



(55) 7930 1594



Av. Alfredo del Mazo No.9, Col. Ex Hacienda  
del Pedregal, Atizapán de Zaragoza, Edomex, C.P.52916